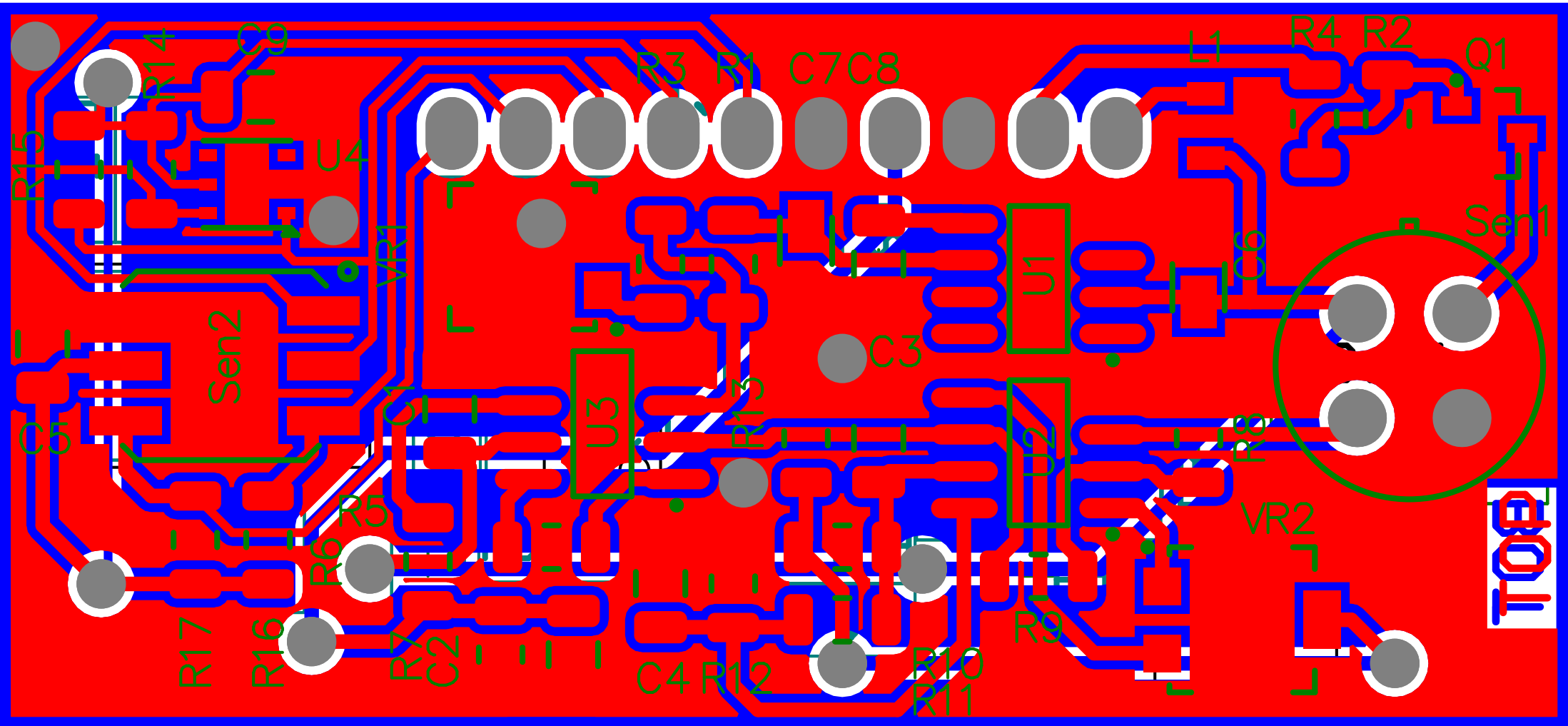


Title		
Size	Number	Revision
A4		
Date:	22.01.2018	Sheet of
File:	C:\Users\...\SensorBoard.SchDoc	Drawn By:



Boards