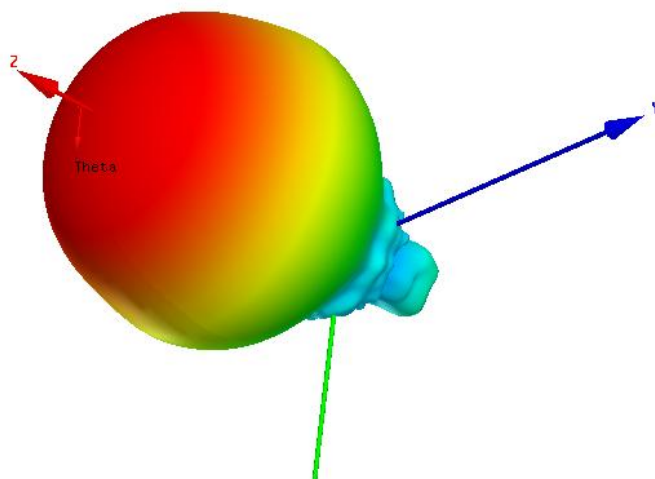
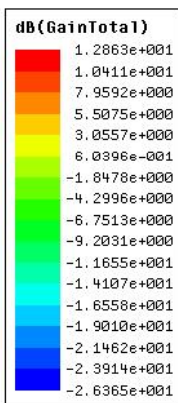
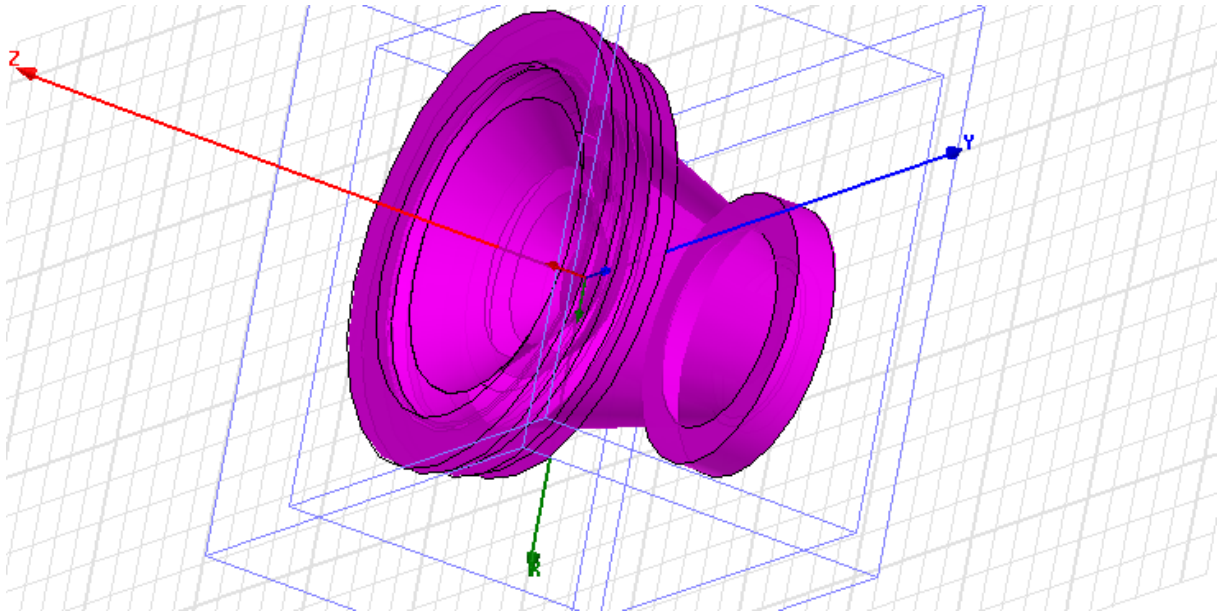
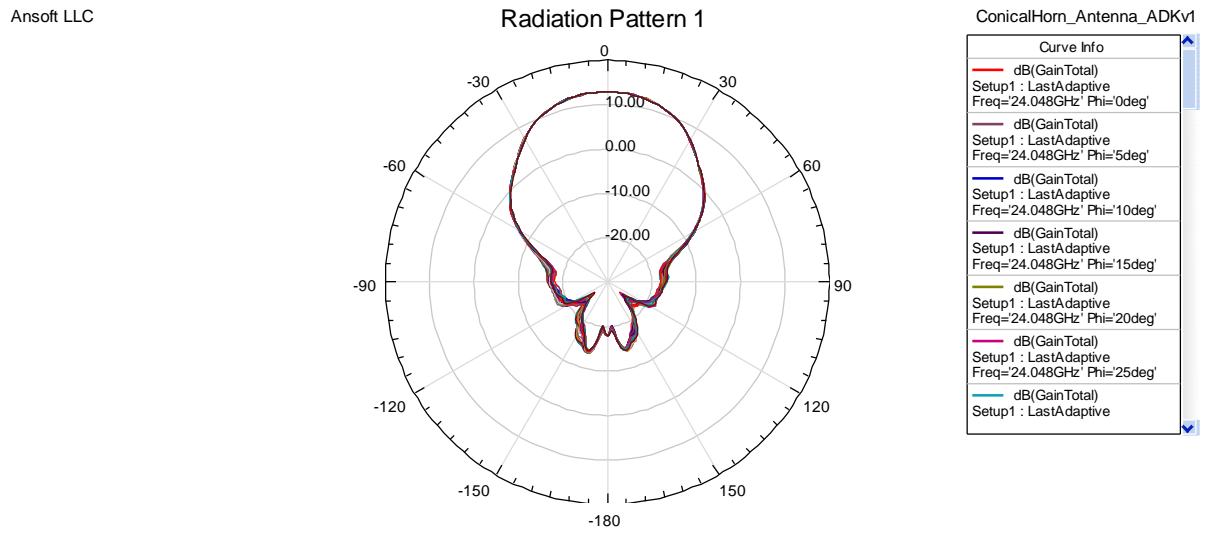
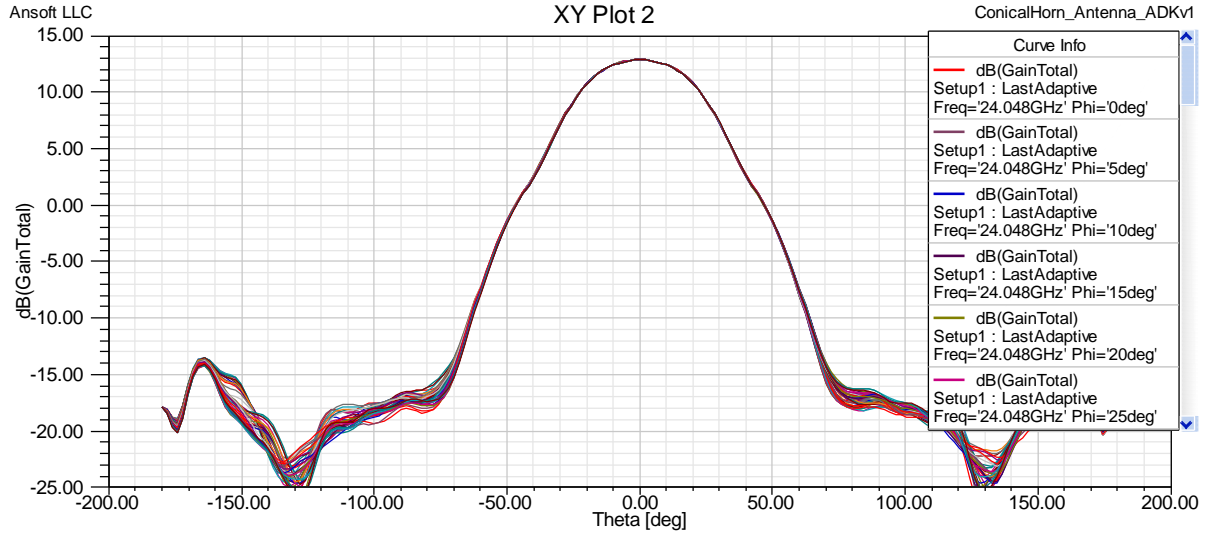


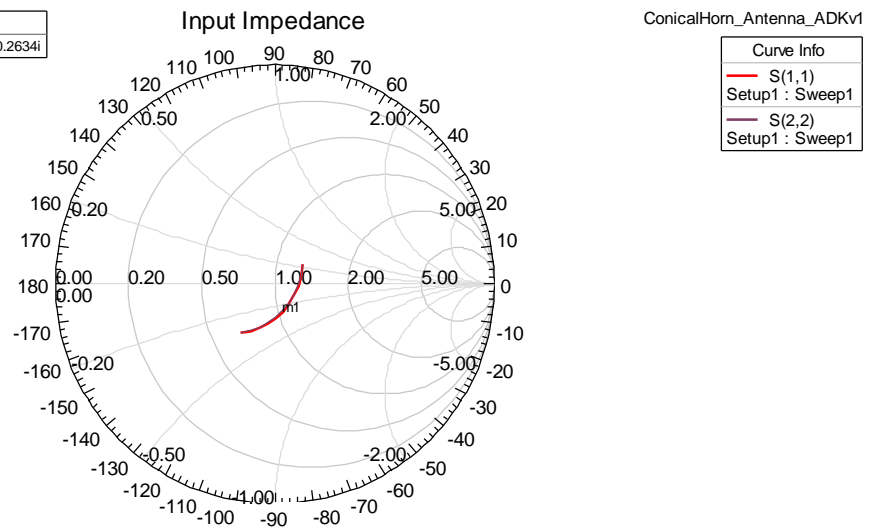
# Feed 24 GHz for dish f/d = 0,6

by OK2AQ





Name	Freq	Ang	Mag	RX
m1	24.0000	-73.9270	0.1295	1.0404 - 0.2634i



Properties: Conical\_Horn\_7\_4 - ConicalHorn\_Antenna\_ADKv1

Local Variables

Value Optimization Tuning Sensitivity Statistics

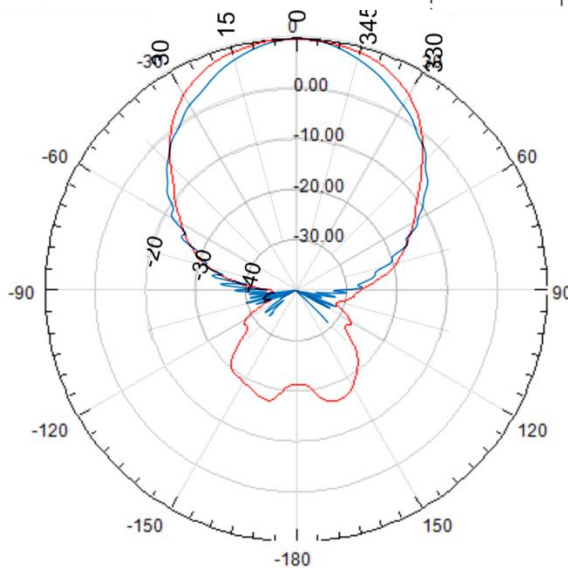
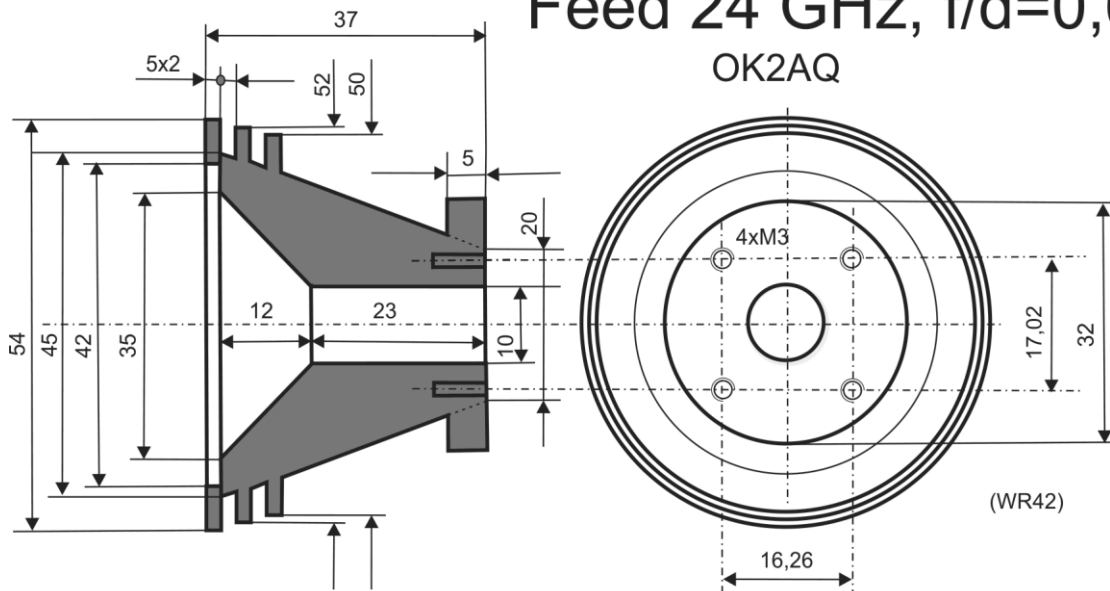
Name	Value	Unit	Evaluated Value	Type	Description	Read-only	Hidden
--Waveguide ...				Design		<input type="checkbox"/>	<input type="checkbox"/>
WG_Radius	5	mm	5mm	Design		<input type="checkbox"/>	<input type="checkbox"/>
WG_Length	23	mm	23mm	Design		<input type="checkbox"/>	<input type="checkbox"/>
Wall_Thickness	4	mm	4mm	Design		<input type="checkbox"/>	<input type="checkbox"/>
--Horn Dimensi...				Design		<input type="checkbox"/>	<input type="checkbox"/>
Horn_Radius	17.5	mm	17.5mm	Design		<input type="checkbox"/>	<input type="checkbox"/>
Horn_Length	12	mm	12mm	Design		<input type="checkbox"/>	<input type="checkbox"/>
--Air Box				Design		<input type="checkbox"/>	<input type="checkbox"/>
Airbox_dist	4.1555	mm	4.1555mm	Design		<input type="checkbox"/>	<input type="checkbox"/>
--Virtual Object...				Design		<input type="checkbox"/>	<input type="checkbox"/>
VirtualObject_...	1.2466	mm	1.2466mm	Design		<input type="checkbox"/>	<input type="checkbox"/>

Add... Add Array... Edit... Remove

Show Hidden

OK Cancel

Feed 24 GHz,  $f/d=0,6$   
OK2AQ



Simulated and measured radiation pattern GainL3x.