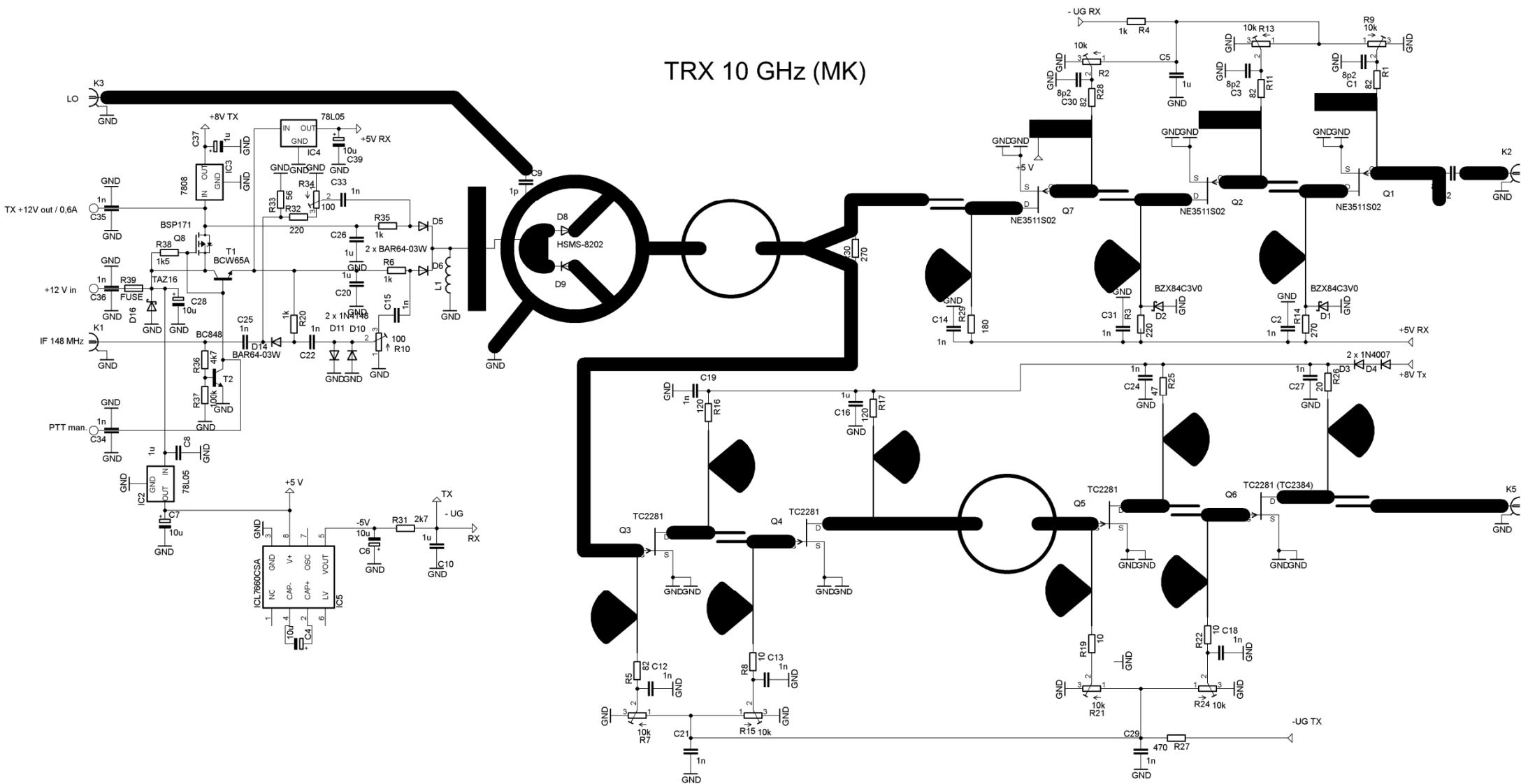
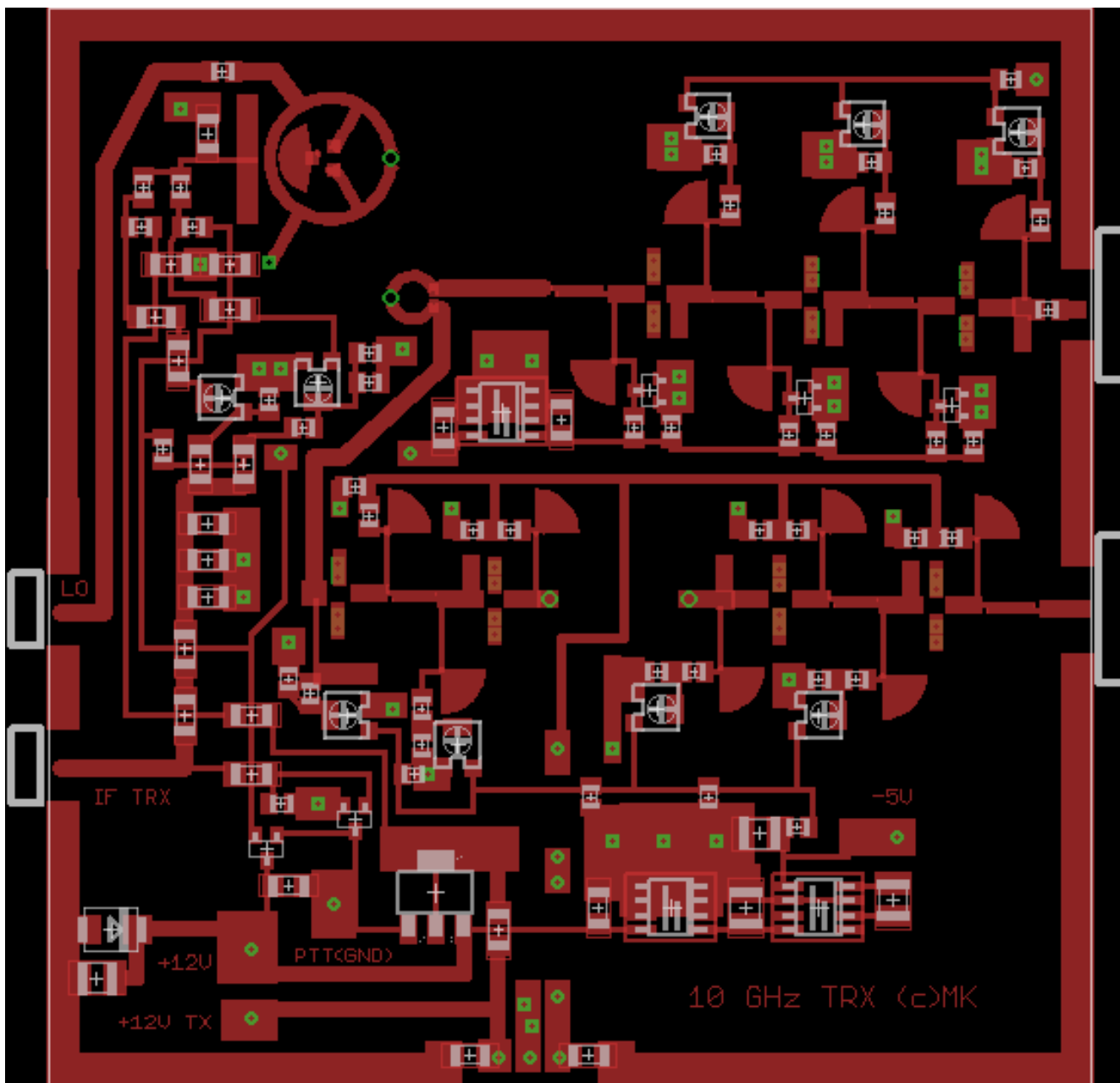


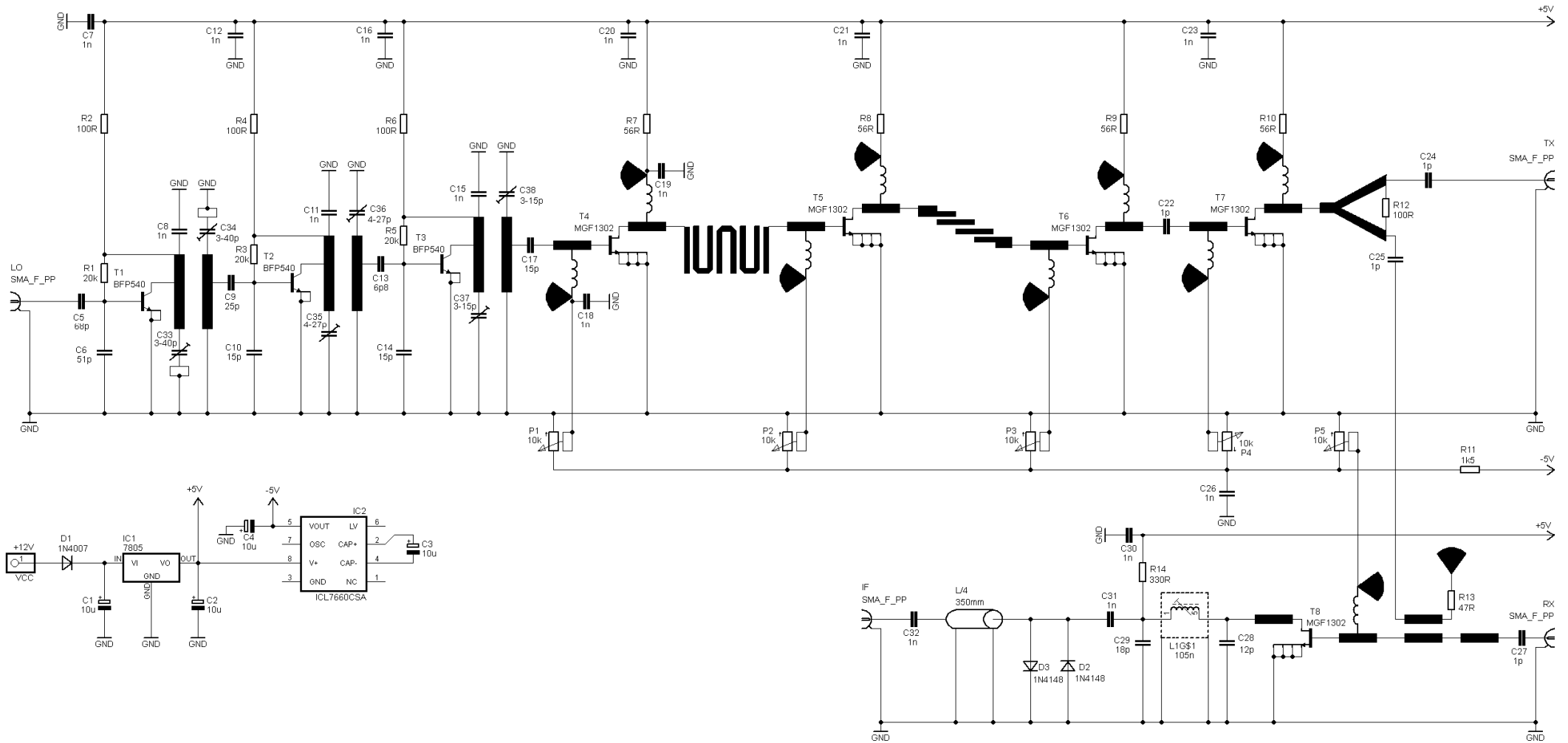
10 GHz Transverter by OK2AQ – schematics and PCB

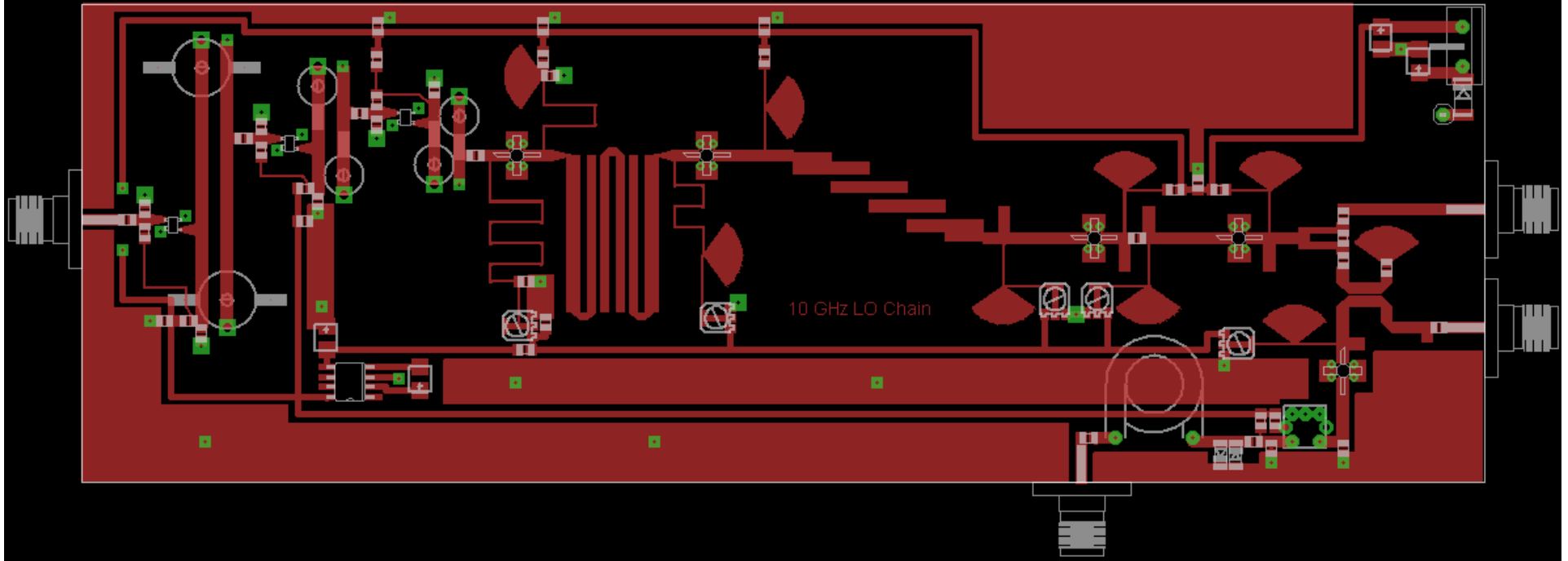
TRX 10 GHz (MK)



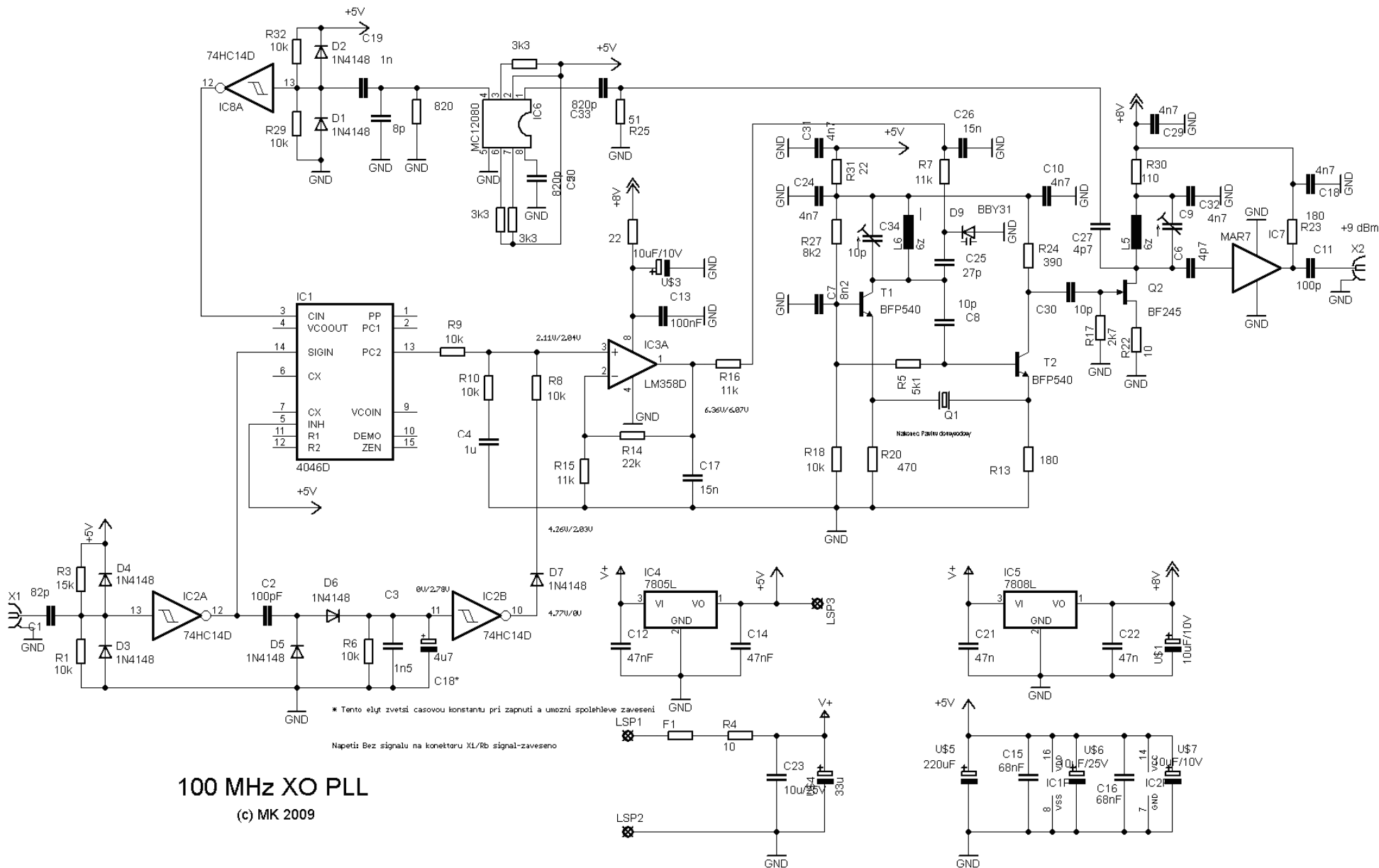


LO Chain



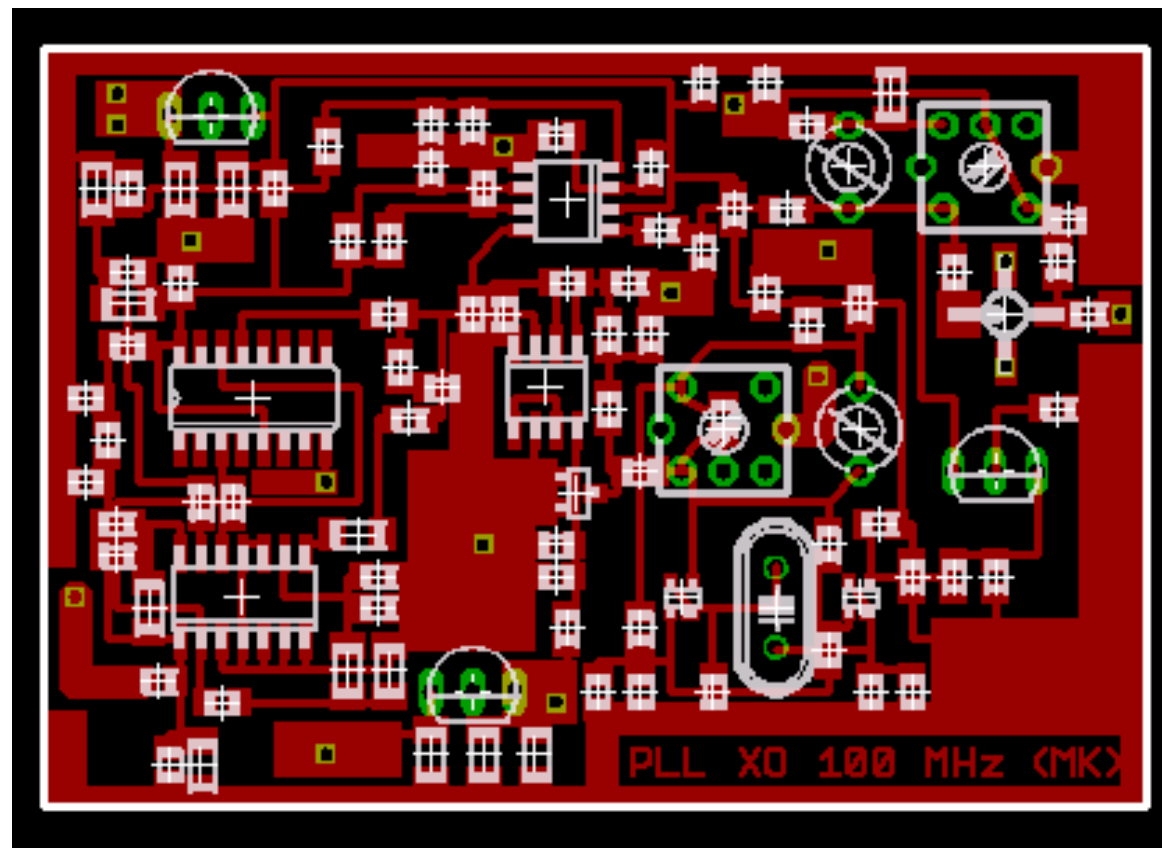


100 MHz XO PLL

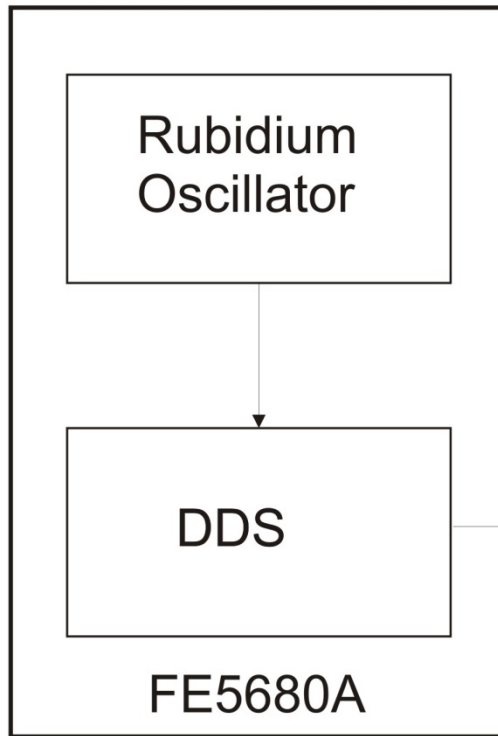
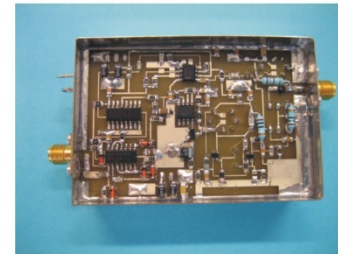
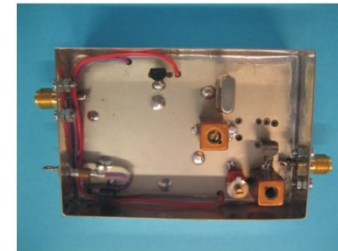
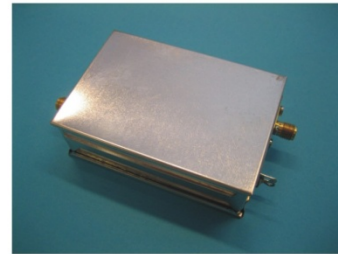


100 MHz XO PLL

(c) MK 2009



Local Oscillator Controlled by Rubidium Frequency Standard



$$106,458333333 \times 96 = 10220,000000 \text{ MHz}$$

